

1

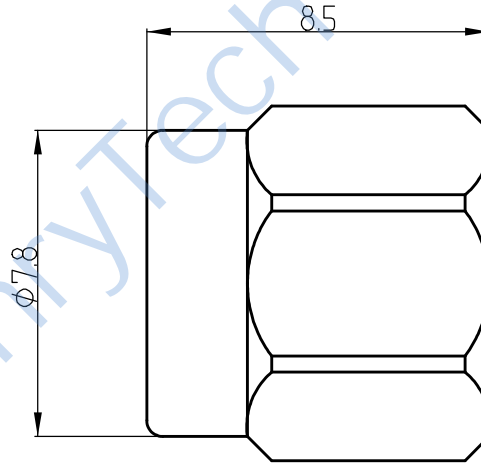
2

3

4

This document contains proprietary information and such information may not be disclosed to others for any purposes, not used for sales/marketing/procurement purposes without written permission


REV	DESCRIPTION OF REVISION	ECN NO.	BY	DATE	APPROVED
A	Initial Release	—	H.wei	1/9/15	1/9/15



1 Materials : Brass

Notes:

- 1. ALL SPECIFICATIONS ARE SUBJECT TO CHANGE NOTICE AT ANY TIME
- 2. CUSTOMER OUTLINE DRAWING FOR REFERENCE ONLY

DRAWN: H.wei 1/9/15 ENGINEER: L.yu 1/9/15 APPROVED: W.yi 1/9/15 TOLERANCES UNLESS OTHERWISE SPECIFIED X ± 0.50 .X ± 0.20 .XX ± 0.10 ANGLES $\pm 1^\circ$	TITLE: SMA Dust Cap	 DIMENSION IN MILLIMETERS (mm)		
PART NO: HL-SMA-K	SIZE: A4	SCALE: N/A	SHEET: 1/1	REV: A

1

2

3

4